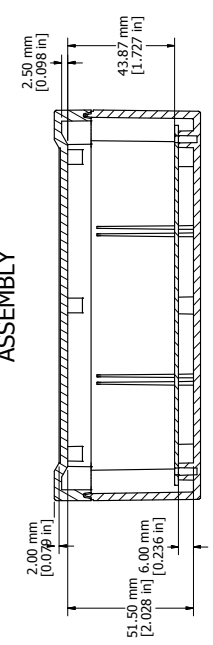
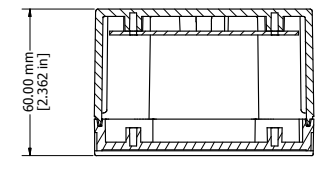


ASSEMBLY

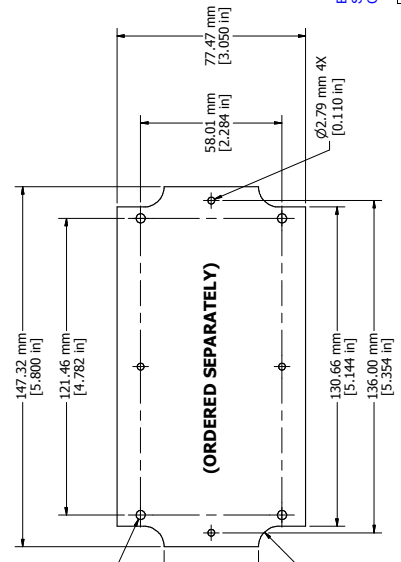


SECTION B-B

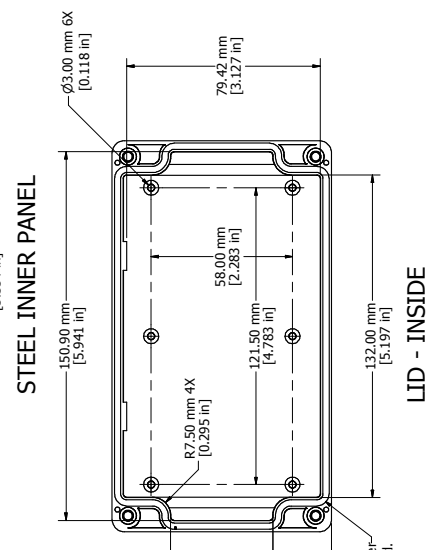


SECTION A-A

UL US LISTED
File #E65324
NEMA 4, 4X

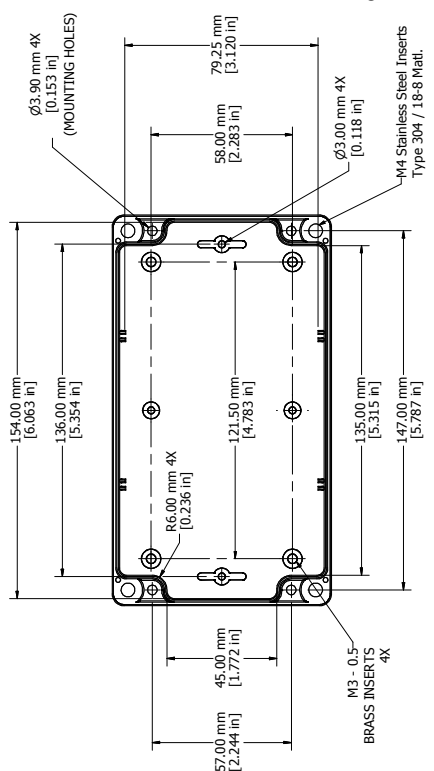


(ORDERED SEPARATELY)

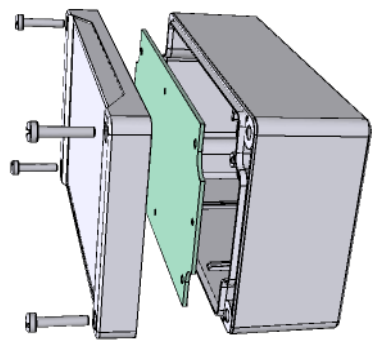


STEEL INNER PANEL

LID - INSIDE



BOX - INSIDE



Enclosures can be Factory Modified (Milling, Drilling, Printing etc.)
Solid models of this enclosure available in STEP or IGES.
Contact Factory mjm@hammondimg.com

NOTE	
Purchased assembly includes box, lid, and 4 cover screws	
Cover screws should be torqued to 2.5 lbf-in (30 cN-m)	
Polycarbonate version is UL 508 approved	
1555J	
1555J Regular Enclosure	
General Purpose ABS RAL-7035 UL94-HB	1555JGY
Polycarbonate RAL-7035 UL94 - V0 7.5VA @ 3mm	1555J2GY
ACCESSORIES	
Heavy Duty 16 Gauge Galvanized Steel Panels	1554JPL
Steel Panel / P.C. Board Machine Screw [M3 x 8mm Nickel Plated]	1591MM100
Steel Panel / P.C. Board Self Tapping Screw [#6 X 1/4" (6.4mm) Nickel Plated]	1598ATS 100
Cover Screws (Pkg 4)	SC1554
[M4 X 20mm Type 304 Stainless Steel]	



HAMMOND
MANUFACTURING™
1555J
www.hammondimg.com